

 **jet** **360 PLUS**



**THE CEILING
MOUNTING DETECTOR
FOR 360° PROTECTION**

PIR & DT indoor volumetric ceiling detectors range

JET PA 360^{PLUS} e JET DT 360^{PLUS}

JET PA 360 PLUS and JET DT 360 PLUS are the new indoor volumetric detectors, **for ceiling mounting**.

Suitable for any residential and commercial environment, they have been designed to ensure **excellent detection** in those situations where the detector installation in a wall or in a corner is not recommended due to a reduced field of view (for example, in the presence of shelving, cupboards or storage areas).

Reliability and high performance are guaranteed by the compliance of the detectors with the **EN 50131 GRADE 2 CLASS 2** regulations specific for indoor detectors.

The range includes 2 models able to detect at 360° with a range of action that can reach up to 9-10 meters.



JET PA 360^{PLUS}
cod. 1130163

Passive infrared detector with digital thermal compensation and coverage up to 10 meters.

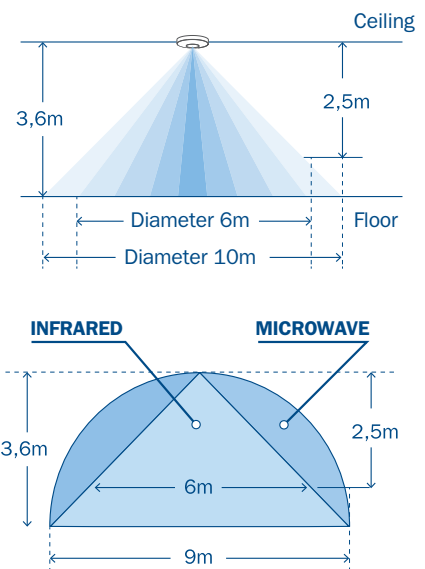
JET DT 360^{PLUS}
cod. 1130164

Dual technology detector that combines IR technology with a linear microwave, able to offer safety and reliability even in difficult environments. Digital technology is not limited to managing the AND between the two technologies but, thanks to the OR/SECURITY detection logic, the alarm is generated for the single infrared or only for the microwave.

TECHNICAL FEATURES

- Low consumption
- Easy installation thanks to the integrated balancing resistors (EOL) (1 - 2.2 - 4.7 - 10 Kohm)
- High security function: double operating mode, AND/OR/SECURITY; in this mode, the detector activates the alarm relay also when the infrared technology triggers a single alarm or the microwave technology triggers a series of consecutive alarms (JET DT 360 PLUS only).

	JET PA 360 PLUS	JET DT 360 PLUS
Type	PIR	Dual tech (PIR+MW)
Thermal compensation	✓	✓
Coverage	10 m on 360°	9 m on 360°
Microwave	-	Linear
MW frequency	-	10,525 GHz (EU)
Signaling Led	Alarm	IR/MW/Alarm
Integrated end of line resistors (EOL)	1 - 2,2 - 4,7 - 10 Kohm	
Operating mode	Single IR	AND / SECURITY / OR
Nominal tension	13,8 V=	
Consumption	7 mA	17 mA
Installation height	2,5 m / 3,6 m	
Installation mode	ceiling	
Dimensions (mm)	Ø 115 x 33	Ø 115 x 33
Working temperature	-10°C / +55°C	
Security grade	Conformity to EN 50131- GRADE 2 CLASS 2 JET DT 360 PLUS: DIRECTIVE 2014/53/UE (RED)	
CE Certification	✓	✓



AVS ELECTRONICS S.p.A.
 Via Valsugana 63
 35010 Curtarolo (PD) - Italy
 Tel. +39 049 9698 411
 Fax +39 049 9698 407
avs@avselectronics.it
www.avselectronics.com



SEGUICI SUI SOCIAL

