

SOCKET POWER OUTLET

Installation Manual

basalte

Safety instructions

Before installing the unit, read this manual thoroughly and retain it for future reference.
The device should be installed in compliance with official regulations valid in country of use.
The device may only be installed and connected by qualified electricians.
Ensure that electricity is switched off when installing or unmounting the device.
Do not open, dismantle, alter or modify the device.

Components

TYPE E (French standard)

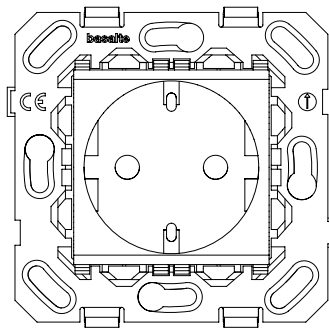
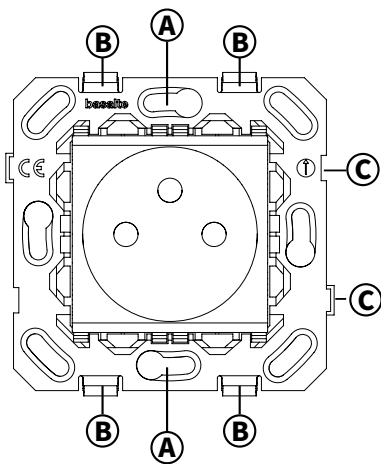
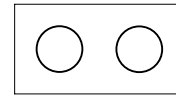
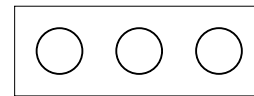
0401-03 : black insert
0401-04 : white insert

TYPE F (German standard)

0401-13 : black insert
0401-14 : white insert

Compatible Socket covers

(not compatible with universal socket U4X1-cc)

**Model No. 0411-CC****Model No. 0421-CC****Model No. 0431-CC**

- A** Opening to fix the outlet to the wall box
- B** Clips to mount the cover plate
- C** Alignment guides for 2-gang and 3-gang installations

Wall boxes

The sockets should be installed in European wall boxes with screws. The distance between the screws needs to be 60 mm, and a minimal depth of 45 mm is required. Square wall boxes size 60 x 60 mm are compatible with the sockets. Round wall boxes should have an inner diameter of 64 mm or more. For multi gang sockets, make sure the back boxes are aligned perfectly horizontal with a centre to centre distance of 71 mm. Preferably use a multigang backbox.

The following round wall boxes are compatible with the Basalte sockets:

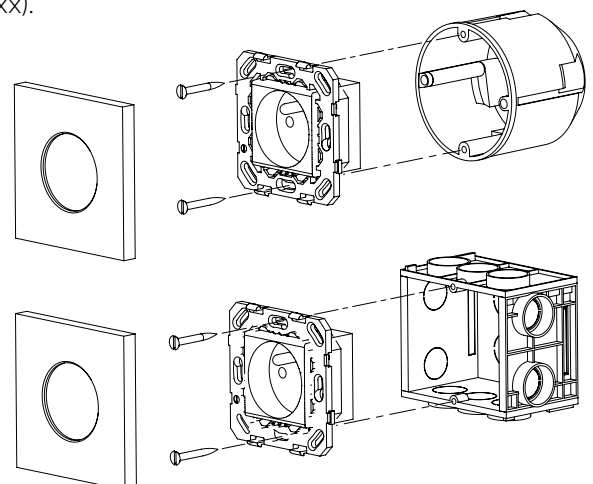
- Helia round with cut hole 68 mm (type 247, 261).
- Kaiser round with cut hole 68 mm (type 9063-xx, 9064-xx, 9062-xx).
- Legrand batibox round (ref 080051, 080061, 080052, 080053).
- ABB round Hafobox MD4050 and hollow wall boxes HW-50, HW50-G, HW52-F (Except HW52-F IGD and HW52-F BW).



When using other round boxes, please verify the compatibility upfront.

Do not use following wall boxes:

- Helia O-range
- Kaiser (1055-xx – 1056-xx)
- ABB 3040
- ABB HW52-F IGD and HW52-F BW



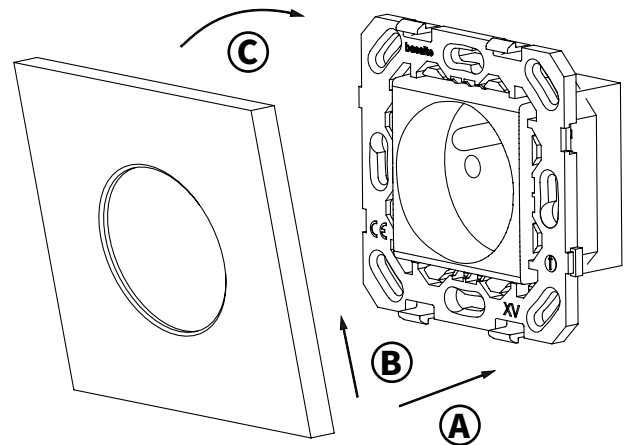
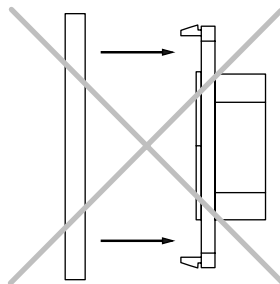
Installation instructions

1. Use a standard European back box with screws. The distance between the screws needs to be 60mm. The required depth is 45mm, although additional depth should be reserved for connecting the cables. For 2-gang sockets, use a 2-gang European back box with a centre to centre distance of 71mm. To verify your compatible back box, please refer **to the back box application note on basalte.world**.
2. Connect the 220V power lines using the screwless terminals.
3. Fix the power outlet to the wall box with 2 screws using the holes on vertical axis. For 2-gang and 3-gang sockets, use the alignment guides for positioning of the outlets.
4. Mount the cover frame using the clips (see drawing below)

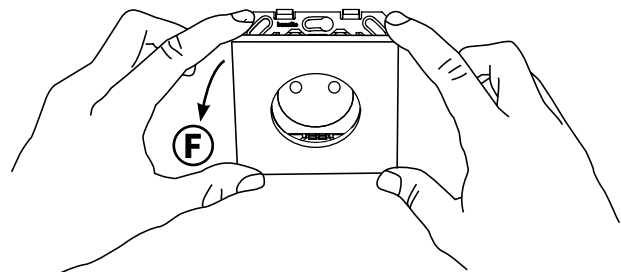
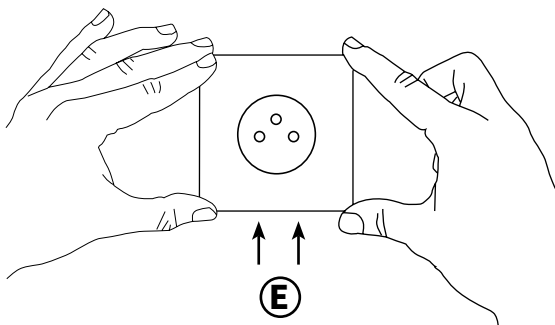
- A** Place the frame over the lower clips
B Push the frame upwards and tilt towards the wall
C Attach the frame over the top clips



Pushing the frame straight into the clips without pushing upwards and lifting, might damage the wall base.



How to remove the Socket front cover (see drawing below)



- E** Push the frame upwards
F Tilt the frame away from the wall

Technical data

Rated voltage: 250V AC

Maximum current: 16A