

SOCKET USB POWER SUPPLY

Installation manual

Safety instructions

Before installing the unit, read this manual thoroughly and retain it for future reference.
The device should be installed in compliance with official regulations valid in country of use.
The device may only be installed and connected by qualified electricians.
Ensure that electricity is switched off when installing or unmounting the device.
Do not open, dismantle, alter or modify the device.

Components

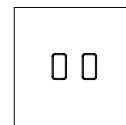
USB power supply

- 0402-03: 2 x USB-A power supply black
- 0402-13: USB-A + USB-C power supply black
- 0402-23: 2 x USB-C power supply black

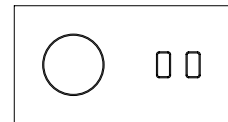
USB power cover

(not included)

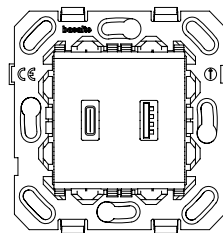
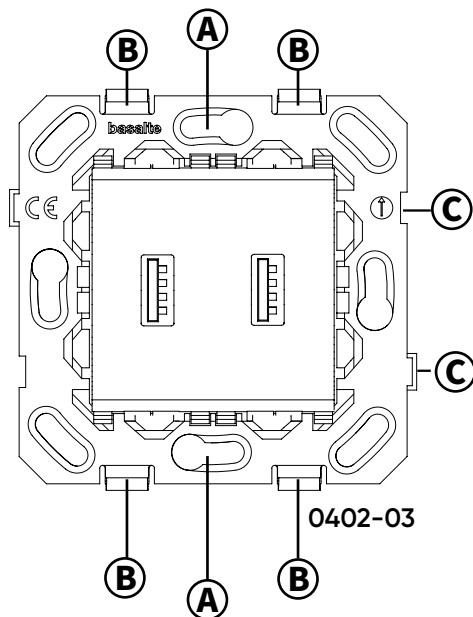
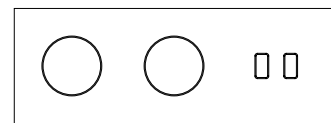
Model No. 0412-xx



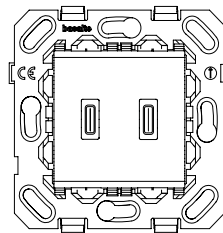
Model No. 0422-xx



Model No. 0432-xx



0402-13



0402-23

- A Opening to fix the outlet to the wall box
- B Clips to mount the cover plate
- C Alignment guides for 2-gang and 3-gang installations

Wall boxes

The sockets should be installed in European wall boxes with screws.
The distance between the screws needs to be 60 mm, and a minimal depth of 45 mm is required.

Square wall boxes size 60 x 60 mm are compatible with the sockets.

Round wall boxes should have an inner diameter of 64 mm or more.

For multigang sockets, make sure the wall boxes are aligned perfectly horizontal with a centre-to-centre distance of 71 mm. Preferably use a multigang wall box.

The following round wall boxes are compatible with the Basalte sockets :

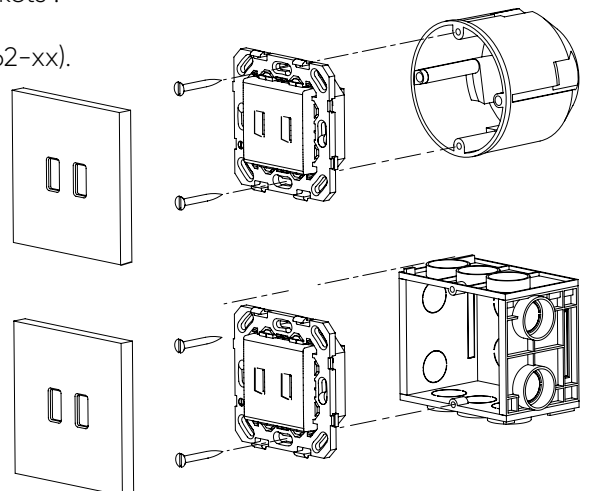
- Helia round with cut hole Ø 68 mm (type 247, 261).
- Kaiser round with cut hole Ø 68 mm (type 9063-xx, 9064-xx, 9062-xx).
- Legrand batibox round (type 080051, 080061, 080052, 080053).
- ABB round Hafobox MD4050 and hollow wall boxes HW-50, HW50-G, HW52-F (except HW52-F IGD and HW52-F BW).



When using other round boxes, please verify the compatibility upfront.

Do not use following wall boxes:

- Helia O-range
- Kaiser (1055-xx, 1056-xx)
- ABB 3040
- ABB HW52-F IGD and HW52-F BW



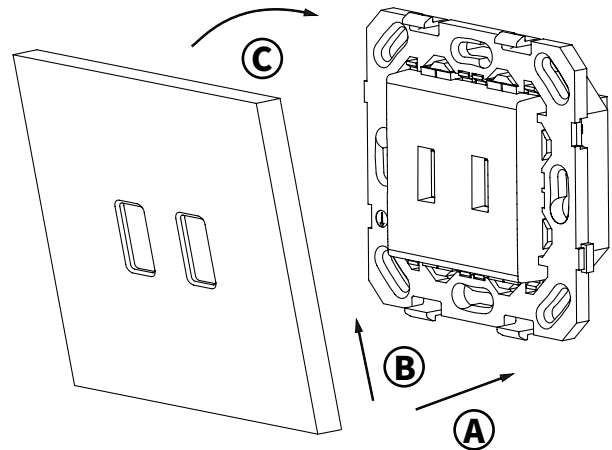
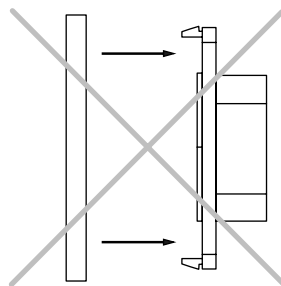
Installation instructions

1. Use a standard European back box with screws. The distance between the screws needs to be 60mm. The required depth is 45mm, although additional depth should be reserved for connecting the cables.
For 2-gang sockets, use a 2-gang European back box with a centre to centre distance of 71mm.
To verify your compatible back box, please refer **to the back box application note on basalte.world**.
2. Connect the 220V power lines using the screwless terminals.
3. Fix the power outlet to the wall box with 2 screws using the holes on vertical axis.
For 2-gang and 3-gang sockets, use the alignment guides to position the outlets.
4. Mount the cover frame using the clips (see drawing below).

- A** Place the cover over the lower clips
B Push the cover upwards and tilt towards the wall
C snap the frame over the top clips



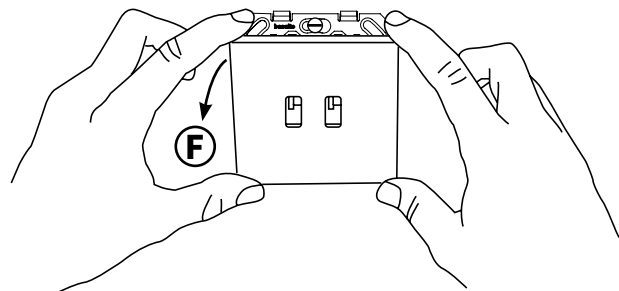
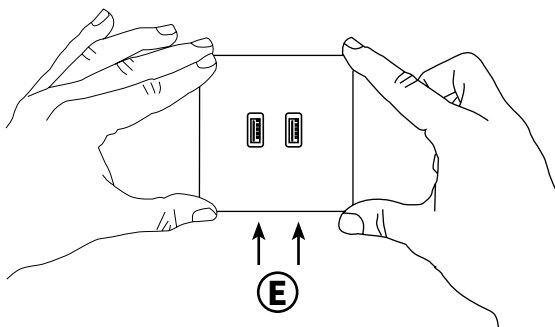
Pushing the frame straight onto the clips without pushing upwards and lifting, might damage the wall base.



Operations

The USB power supply is designed to charge electronic devices via standard USB-A or USB-C port.
 0402-03 is optimised to provide 5W to each port simultaneously or a single 10W to the high power port.
 0402-13 & 0402-23 are optimised to charge two devices simultaneously with a total maximum output of 15W divided over the two ports.

How to remove the Socket front cover (see drawing below)



- E** Push the cover upwards
F Tilt the cover away from the wall

Technical data

Power supply: 120-230V AC – 50/60 Hz

Consumption 0402-03: 230mA at 120V AC and 150mA at 230V AC

Consumption 0402-13/23: 290mA at 120V AC and 180mA at 230V AC

Output voltage: 5V DC

Max. output power 0402-03: 10W (2 x 5W or 1 x 10W)

Max. output power 0402-13/23: 15W (2 x 7,5W or 1 x 15W)

Operating temperature: 0°C – +35°C

Maximum current: 16A