

Safety instructions

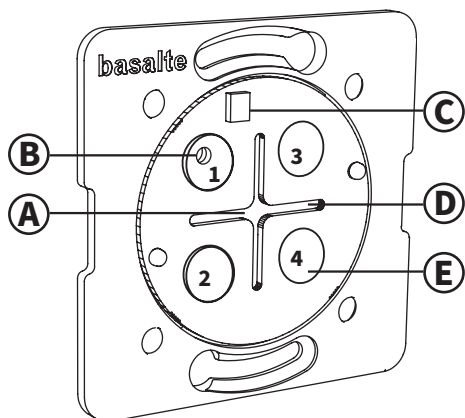
Before operating the unit, please read this manual thoroughly and retain it for future reference. Failure to observe these instructions might damage the device. The device may only be installed and connected by professional electricians. All relevant rules and regulations valid in the country of use, as well as KNX guidelines, apply.

Description

Sentido KNX is a touch-sensitive switch compatible with all Sentido cover plates, either two-way or four-way. The separate touch-sensitive surfaces of Sentido each control various functions, using both short and long press. By touching more than one surface at the same time, additional comfort functions can be activated including room toggle, scene sequencer and RGB sequencer. The multicolour LED backlight provides status feedback and can be used as nightlight. The Sentido also has a built-in temperature sensor and integrated thermostat logic. A scene controller can control up to 6 scenes and 8 outputs per scene.

Components

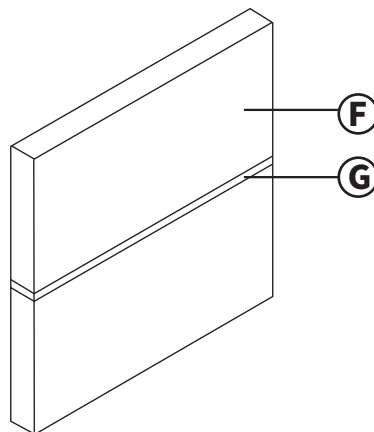
Sentido KNX V4
Model No. 0200-12



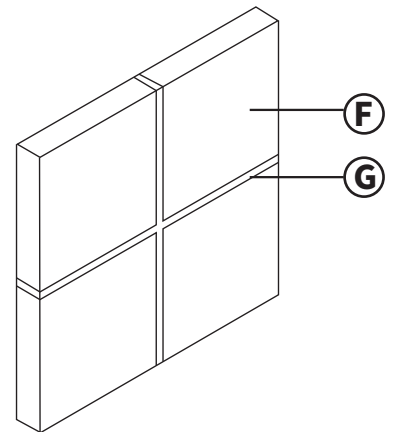
- A** RGB LED
- B** Programming button
- C** Temperature sensor
- D** Programming LED

- E** Touch sensor (1-4)
- 1 Left up
- 2 Left down
- 3 Right up
- 4 Right down

Sentido front cover 2 way
Model No. 0201-xx
(not included)



Sentido front cover 4 way
Model No. 0202-xx
(not included)

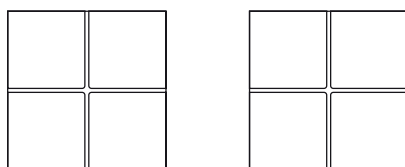


- F** Touch-sensitive surface
- G** Transparent window

Important advice



- Never connect the device to 230 V.
- Avoid obstacles which might obstruct the proper mounting of the cover to the switch, such as round headed screws, plastering or textured wall paint.
- Installing a Sentido on a metal wall or a mirror surface might cause the device not to function properly.
- The minimum gap between 2 Sentido switches must be at least 4 cm (1.6 in).
- Do not install any device nearby that might cause interference such as fluorescent lights or RF devices.



minimum gap = 4 cm (1.6")

Installation and commissioning

- Use a standard European backbox with screws. The distance between the screws needs to be 60mm. The depth required is 24mm, however additional depth should be reserved for connecting the device.
- Mount the Sentido with the temperature sensor upwards. If not, make sure to indicate the position of the temperature sensor in ETS when commissioning the switch. Use screws with a countersunk, flat head and do not apply too much force as this might deform the plastic housing.
- Connect the switch to the KNX bus according to the KNX guidelines.
- Load the physical address into the Sentido switch from ETS via the KNX bus.
- Commission the Sentido switch using ETS and load the configuration into the device.
- Please refer to the software manual to configure the Sentido switch.

Note

Sentido can also be placed in programming mode by touching one sensor and simultaneously tapping four times on the surface diagonally opposite sensor.

When using the dual Sentido front cover, disable sensor 2 and 3. Only sensor 1 and 4 will be used.

How to mount the Sentido front cover (not included)

Only install the Sentido front cover while the switch is not powered.

Push the Sentido front cover firmly onto the Sentido switch. The front cover is fixed to the switch by the clipping system. Make sure the cover is mounted using all 4 clips.

Power the device once the front cover is mounted. Calibration will be initiated.

Calibration

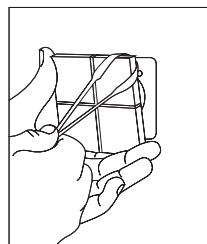
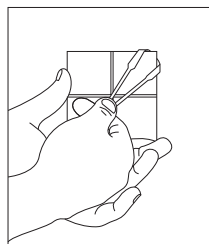
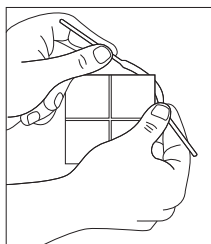
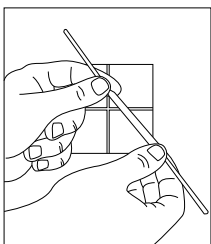
In order to function properly, the sensors of Sentido need to calibrate to the environment. This calibration starts when bus power is applied, when a cover is installed or can be forced when the sensors detect a touch for more than 40 seconds.

During calibration, the RGB led will light up blue and slowly fade up and down. Make sure not to touch the cover when the calibration process is ongoing! At the end of calibration, the RGB led will blink green. The switch is now ready to be used.

How to remove the Sentido front cover



We provide the 'tube' tool to easily remove the Sentido front cover.
Do not use a screwdriver or other tools, as these might damage the cover.



Technical data

Current consumption KNX bus: 11mA

Ambient temperature:

Operation: -5°C to 45°C

Storage: -15°C to 55°C

Transport: -15°C to 55°C

Max. humidity: 93% relative humidity,
no moisture condensation

Protection class: II

Type of protection: IP 20

Certification: CE