

### Safety instructions

Before operating the unit, please read this manual thoroughly and retain it for future reference. Failure to observe these instructions might damage the device. The device may only be installed and connected by professional electrical contractors. All relevant rules and regulations valid in the country of use apply.

### Description

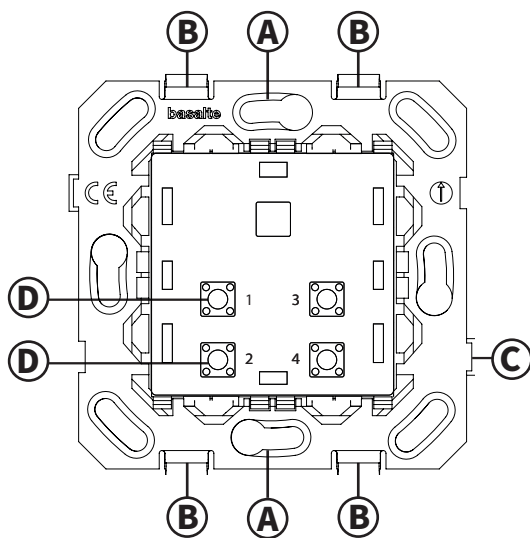
Chopin dry contact closure (= DCC) is a mechanical switch that's compatible with all Chopin cover plates without LED levers both 1- and 2-gang.

Chopin's levers control a Normal Open contact closing.

### Components

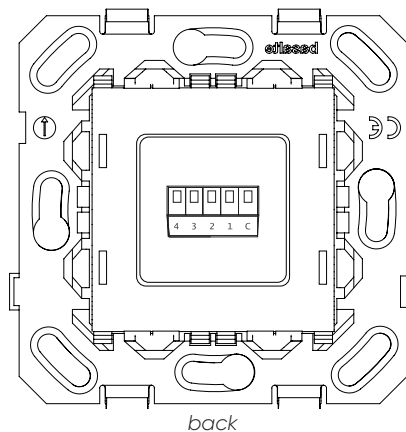
#### Chopin DCC

Model No. 0220-04



#### Compatible Chopin covers

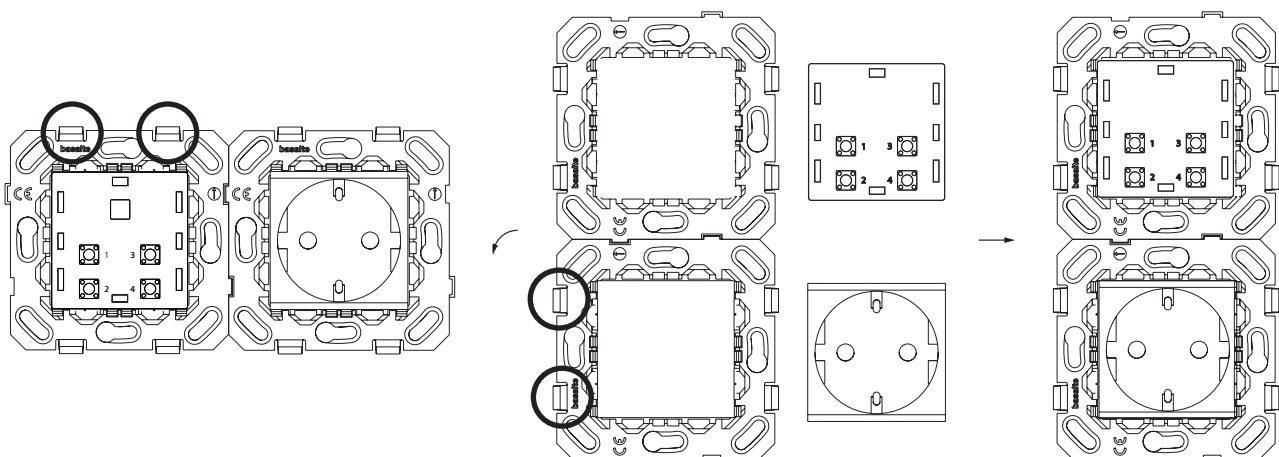
Visit [chopin.basalte.world](http://chopin.basalte.world) to configure your Chopin cover.



- A Opening to screw the Chopin switch to the wall box
- B Clips to mount the cover plate
- C Alignment guides for 2-gang installations
- D Lever button

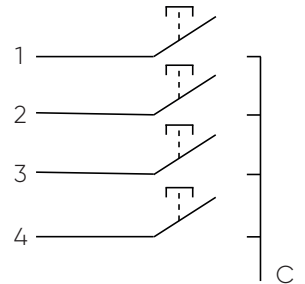


When using vertically oriented Chopin covers, the clips to mount the cover plate need to be oriented vertically. Make sure to snap out electronics from the plastic adapter and turn the electronics 90° counter-clockwise, before snapping them back in the adapter.



### Installation and commissioning

- Use a standard European back box with screws. The distance between the screws needs to be 60mm. The required depth is 30mm, although additional depth should be reserved for connecting the device. For 2-gang Chopin, use a 2-gang European back box with a centre-to-centre distance of 71mm. To verify your compatible back box, please refer **to the back box application note on basalte.world**.
- Mount Chopin with button 1 and 3 upwards. Use screws with a countersunk, flat head.
- By pressing the levers you close the contact of the relay. This low voltage contact can be used in combination with a binary input module or a mechanical impulse relay.
- Connect the connector as shown in the image on the right.
  - > Dual levers: 1 = lever left up / 2 = lever left down / 3 = lever right up / 4 = lever right down
  - > Single lever: 1 = lever up / 4 = lever down



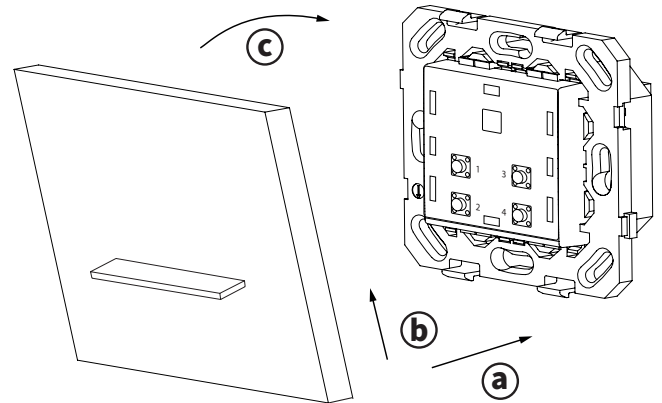
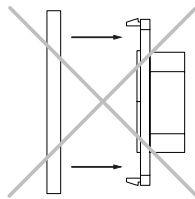
**⚠ Do not apply too much force when screwing the Chopin switch to the backbox, otherwise you risk for the levers to not function properly.**

### How to mount the Chopin front cover (not included)

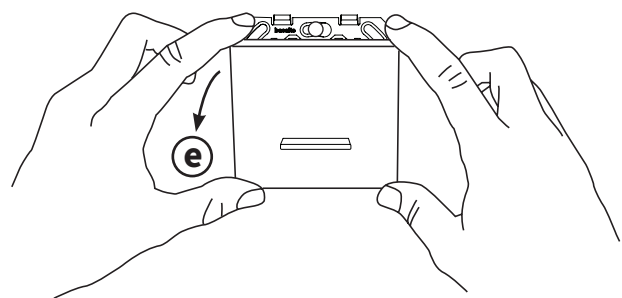
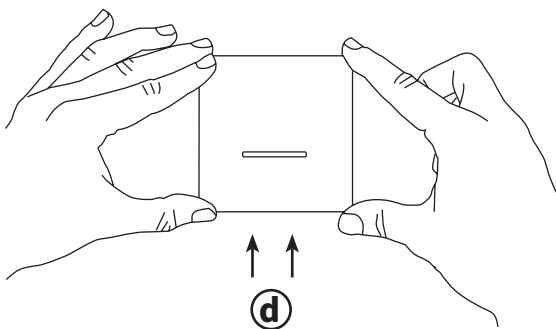
- Place the Chopin front cover over the lower clips
- Push the Chopin front cover upwards and tilt towards the wall
- Snap the Chopin front cover over the top clips



Pushing the cover straight onto the clips without first pushing upwards and lifting might damage the Chopin electronics.



### How to remove the Chopin front cover (not included)



- Push the cover upwards
- Tilt the cover away from the wall

### Technical data

**Contact rating max.:** 50mA @ 24 VDC

**Ambient temperature:**

Operation: -5°C to 45°C

Storage: -15°C to 55°C

Transport: -15°C to 55°C

**Max. humidity:** 93% relative humidity, no moisture condensation

**Protection class:** II

**Type of protection:** IP 20

**Certification:** CE