

Before operating the unit, please read this manual thoroughly and retain it for future reference.

Model No. 0512-xx

You are cautioned that any changes or modifications not expressly approved in this manual could void your authority to operate this equipment.

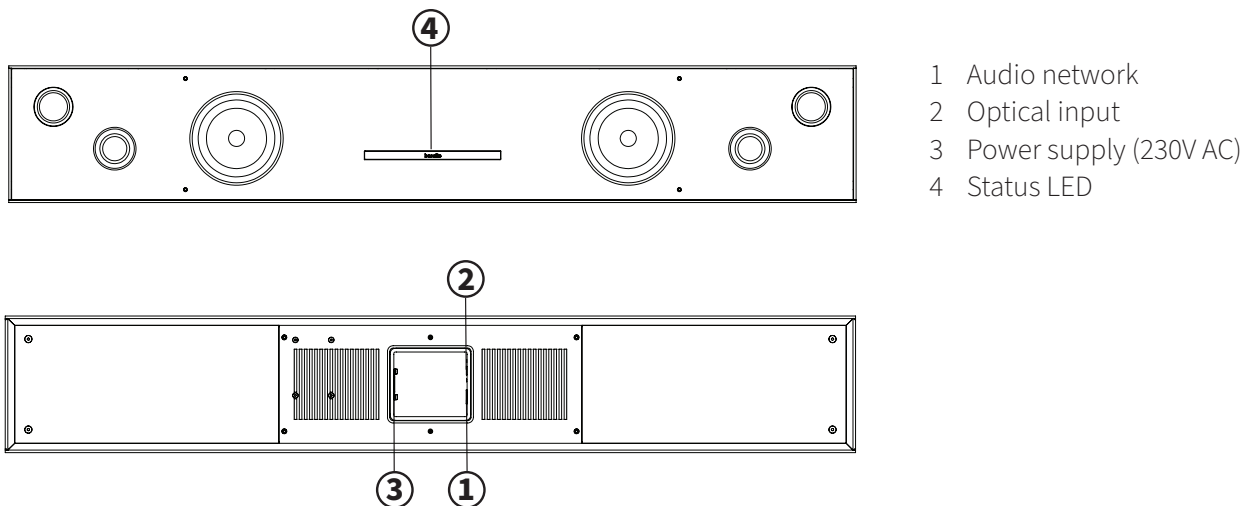
Description

Aalto D4N is an active speaker that can be placed in the wall.

The speaker can connect an optical input and a Bluetooth audio device.

Aalto D4N can only be used in combination with S4.

The speakers are compatible with all D4 fabric covers (511-xx not included).



LED feedback

The front panel has a feedback LED which indicates following statuses:

- **Blue:** standby mode
- **White:** speaker is active
- **Blinking red:** clipping detection

Dimensions

Speaker: 160 x 995 mm (height x width)

Depth in wall: 60 mm

Depth on wall: 27 mm

Wall opening: 140 x 975 mm (height x width)

Clear depth of min. 80 mm from the front of the wall surface - max. 30 mm wall thickness for clamping.

Installation instructions

1. Ensure that the wall locations chosen are free of obstructions such as pipe work, ducting or wiring that will interfere with the installation.
2. Connect the wires and install the speaker in the opening.
3. Gently screw the 4 mounting screws clockwise to clamp the speaker in the wall. Do not use electric mounting tools.
4. Place the fabric cover on the speaker, the cover is hold magnetically in place.
5. Once correctly installed and powered, Basalte Studio configuration tool must be used to configure the D4N speaker.

Wiring

1. Audio network
Connect Aalto to the dedicated audio network using Ethernet CAT5e cable. The audio network must be a dedicated network separated from your local data network.
2. Inputs
Additional source can be connected to the digital optical input.
Bluetooth input will be configured using Basalte Studio software.
3. Power supply
The Aalto D4N is powered by a Euro mains power lead with a 230V AC input. Do not unplug the connector at this side with voltage present.

Technical data

Power: 220V - 240V AC

Amplification: 200W

Ambient temperature: Operation: -5°C to 45°C

Storage: -15°C to 55°C

Transport: -15°C to 55°C

Placement options: In wall